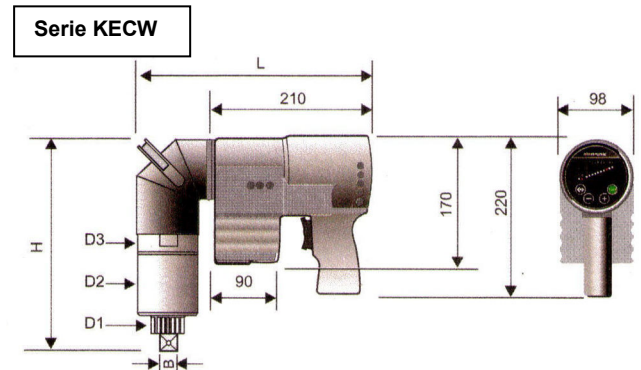
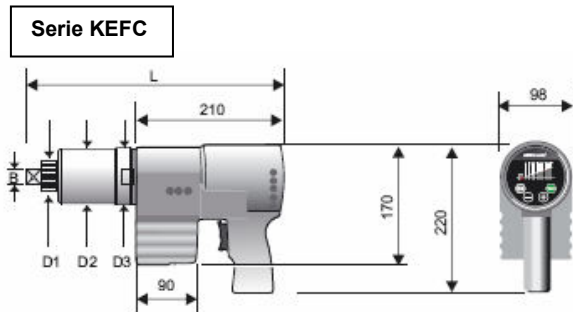


## KEFC und KEFW Serie

### Elektrische Kraftschrauber 60 - 13.000 Nm



Modell	Drehmomentbereich	Abtriebsvierkant	Leerlaufdrehzahl
KEFC-40	60 - 450 Nm	3/4"	19 upm
KEFC-80	150 - 840 Nm	3/4"	12 upm
KEFC-120	200 - 1250 Nm	3/4" / 1"	8 upm
KEFC-200	400 - 2100 Nm	1"	7 upm
KEFC-280	500 - 2800 Nm	1"	6 upm
KEFC-350	660 - 3600 Nm	1 1/2"	4 upm
KEFC-500	900 - 5000 Nm	1 1/2"	2 upm
KEFW-40	60 - 450 Nm	3/4"	20 upm
KEFW-80	150 - 840 Nm	3/4"	13 upm
KEFW-120	200 - 1250 Nm	3/4" / 1"	9 upm
KEFW-200	400 - 2100 Nm	1"	8 upm
KEFW-280	500 - 2800 Nm	1"	7 upm
KEFW-350	660 - 3600 Nm	1 1/2"	4 upm
KEFW-500	900 - 5000 Nm	1 1/2"	2 upm